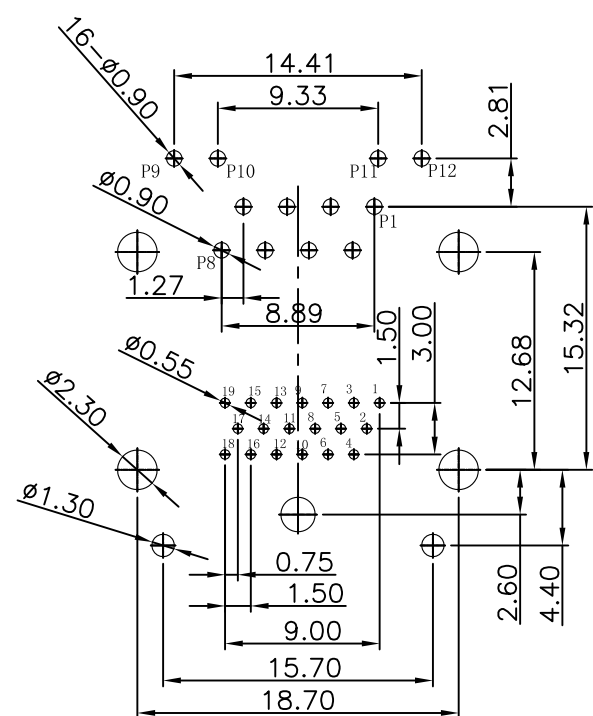
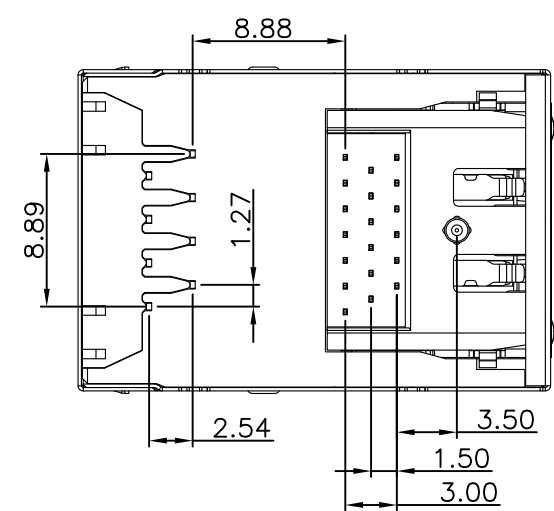
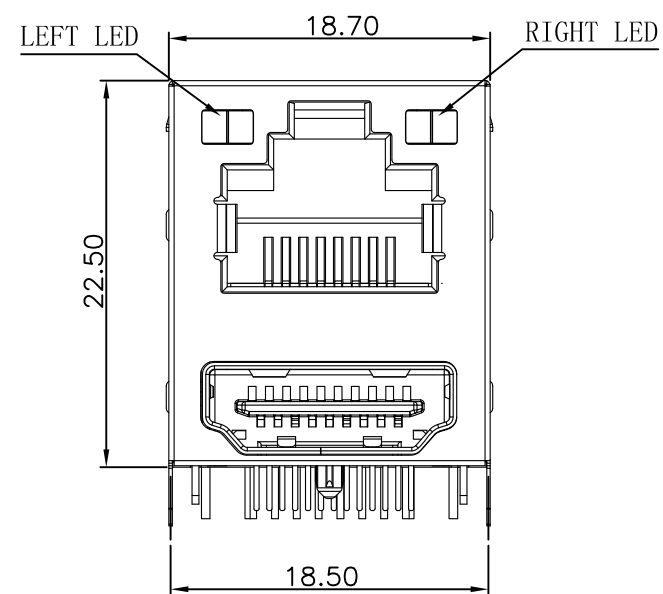
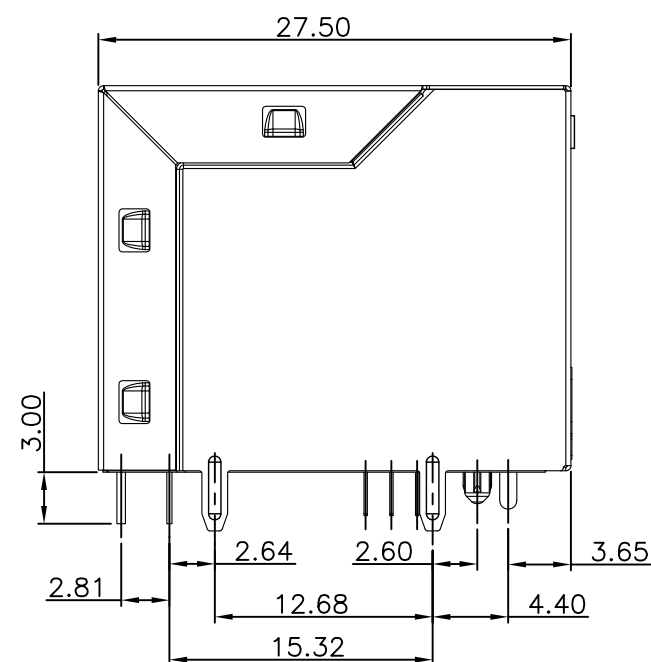


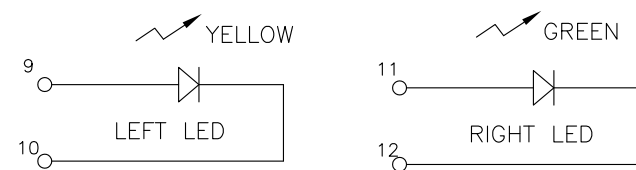
1 2 3 4 5 6 7 8

F
E
D
C
B
A

更改 REV	设 变 内 容 MODIFICATION	日 期 DATE	制 图 DRAW	核 准 APPROVE
A	图面发行	2012/10/29	JDL	Oscar



RECOMMENDED P.C.B LAYOUT
TOP VIEW (COMPONENT SIDE)



NOTES:

ELECTRICAL:

- VOLTAGE RATING : 125 VAC RMS.
- CURRENT RATING : 1.5 AMP.
- CONTACT RESISTANCE : 50 MILLIOHMS MAX.
- INSULATION RESISTANCE: 500 MEGOHMS MIN @ 500 VDC.
- DIELECTRIC STRENGTH : 1000 VAC RMS 50Hz, 1MIN.

MECHANICAL:

- HOUSING MATERIAL : GLASS FILLED POLTER(UL94V-0)
- CONTACT MATERIAL : PHOSPHOR BRONZE ø0.46mm.
- PLATING : GOLD PLATING OVER NICKEL.
- SHIELD: COPPER ALLOY(OR STEEL ALLOY) 0.20mm THICKNESS PLATING NI.
- OPERATING LIFE : 750 CYCLES MIN.

ENVIRONMENTAL:

- STORAGE : -40°C TO +85°C.
 - OPERATION: 0°C TO +70°C.
 - ROHS COMPLIANT
- MATES WITH MODULAR PLUG CONFORMING TO
FCC PART 68, SUBPART F.

PART NUMBER: RJ45-1HDMIA-L1E0XX

GOLD PLATING U"
1-Fu" 2-2u" 3-3u" 4-6u"

PLASTIC MATERIAL&COLOR:Black/Yellow/Grey
1-PBT Black
2-PA46 Black

HTTP://WWW.RJ45JACK.COM		YOU LONG CONNECT THE WORLD		
YOU LONG ELECTRONICS LIMITED		YOU LONG ELECTRONICS LIMITED		
QC : Inspection Item Cp/Cpk and SPC Control Item	DIMENSION IN mm [Inch]		专案号 FILE NO.	图号 DWG NO. RJ45-1HDMIA-L1E0
	TOLERANCE UNLESS OTHERWISE SPECIFIED		.X± 0.20 X.°± 1°	
	.XX± 0.15 .X°± 0.5°		.XXX± 0.075	
核准 APPROVE	审核 CHECK	制 图 DRAW	角法 PROJ.	页 数 SHEET
Oscar		Oscar	1:1	1 / 1
		比 例 SCALE	图 纸 SIZE	更 改 REV
		1:1	A3	A

If you have any questions, Don't hesitate to email sales@rj45jack.com, please!

1 2 3 4 5 6 7 8